



The affordable LED GUS is designed to deliver general ambient lighting for surface-mount ceiling/wall or pendant mount applications. Diffusion lens delivers improved visual performance and a more refined look. Replaces traditional 4' linear fluorescent wraparound fixtures.

Color: White

Weight: 17.9 lbs

**Project:**

**Type:**

**Prepared By:**

**Date:**

### Driver Info

Type	Constant Current
120V	0.38A
208V	0.26A
240V	0.23A
277V	0.17A
Input Watts	47.7W

### LED Info

Watts	50W
Color Temp	4000K (Neutral)
Color Accuracy	83 CRI
L70 Lifespan	100,000
Lumens	6,378
Efficacy	133.7 lm/W

## Technical Specifications

### Listings

#### UL Listed:

Suitable for damp locations

#### DLC Listed:

This product is listed by Design Lights Consortium (DLC) as an ultra-efficient premium product that qualifies for the highest tier of rebates from DLC Member Utilities. DLC Product Code: PRKFYEK9

### LED Characteristics

#### Lifespan:

100,000-hour LED lifespan based on IES LM-80 results and TM-21 calculations

#### Color Stability:

LED Color temperature is warranted to shift no more than 200K in color temperature over a 5-year period

#### Color Uniformity:

RAB's range of Correlated Color Temperature follows the guidelines of the American National Standard for Specifications for the Chromaticity of Solid State Lighting (SSL) Products, ANSI C78.377-2017.

### Electrical

#### Driver:

Constant current, Class 2, 120-277V, 50/60 Hz, 120V: 0.38A, 208V: 0.26A, 240V: 0.23A, 277V: 0.17A, 2kV surge protection

#### Dimming Driver:

Driver includes dimming control wiring for 0-10V dimming systems. Requires separate 0-10V DC dimming circuit. Dims as low as 10%.

#### THD:

3.75% at 120V, 5.51% at 277V

#### Power Factor:

99.6% at 120V, 96.4% at 277V

#### Minimum Starting Temperature:

0° to 40°C

### Construction

#### Housing:

Die-formed 22 gauge, cold-rolled, post-painted steel. Post painting improves durability of the finish and eliminates the sharp edges making handling and installation safer.

#### Mounting:

Surface mount. Can be mounted with chains or v-hooks by others.

#### Lens:

Acrylic lens with diffusion for enhanced optical performance

#### Reflector:

Aluminum with high-reflectance (91%) powder coat applied post production for a more durable finish

## Technical Specifications (continued)

### Construction

#### Finish:

Formulated for high durability and long-lasting color

#### Green Technology:

Mercury and UV free. RoHS-compliant components.

### Other

#### Warranty:

RAB warrants that our LED products will be free from defects in materials and workmanship for a period of five (5) years from the date of delivery to the end user, including coverage of light output, color stability, driver performance and fixture finish. RAB's warranty is subject to all terms and conditions found at [rablighting.com/warranty](http://rablighting.com/warranty).

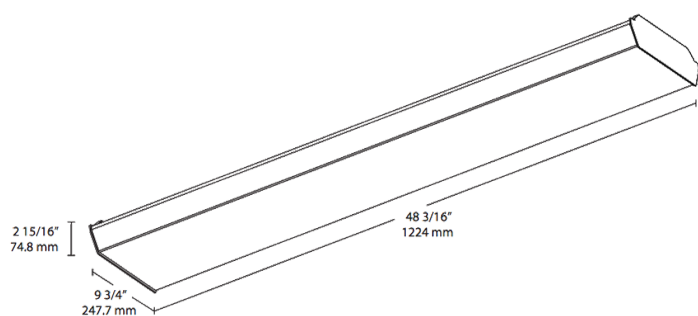
#### Equivalency :

Equivalent to (3) F32T8

### Buy American Act Compliance:

RAB values USA manufacturing! Upon request, RAB may be able to manufacture this product to be compliant with the Buy American Act (BAA). Please contact customer service to request a quote for the product to be made BAA compliant.

## Dimensions



## Features

- Energy-efficient, maintenance-free LED wrap fixture
- Multiple mounting options: surface, pendant or chain
- High-reflectance white finish for optimal output
- Diffusion wrap-around lens for smooth light distribution
- 0-10V dimming standard
- 100,000-Hour LED lifespan

## Ordering Matrix

Family	Size	Wattage	Color Temp	Finish	Driver Options
GUS	4 2	50	N	W	/D10
	4 = 4 feet 2 = 2 feet	18 = 18W (2 ft) 25 = 25W (2 ft) 36 = 36W (4 ft) 50 = 50W (4 ft)	Blank = 5000K (Cool) N = 4000K (Neutral) YN = 3500K (Warm Neutral) Y = 3000K (Warm)	W = White	/D10 = 0-10V Dimming /D10/E2 = 0-10V Dimming w/ Battery Backup /D10/LC = 0-10V Dimming w/ Lightcloud® Controller /D10/LC/E2 = 0-10V Dimming w/ Lightcloud® Controller and Battery Backup