



MTC-200BB6

Backcan for Control 227C & CT Medium Format In-Ceiling Loudspeakers

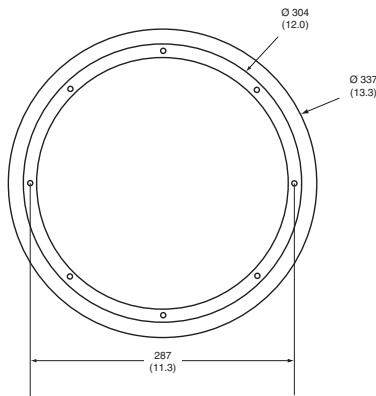
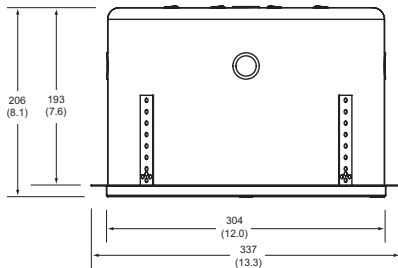
Professional Series

Key Features:

- ▶ Extra-thick 16 gauge metal construction.
- ▶ Lined with 12 mm (1/2 in) thick MDF to eliminate resonances and to provide extra bass response.
- ▶ Knockouts on top and side.



Dimensions:



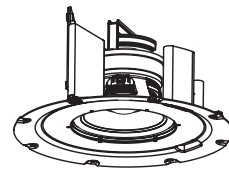
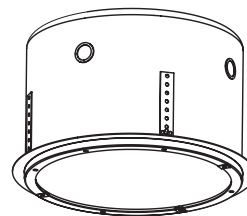
Dimensions in inches (mm)

Specifications:

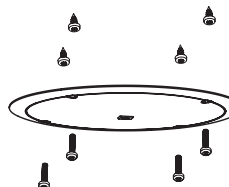
External Volume:	0.7 cu ft, nominal
Internal Volume:	0.5 cu ft.
Knockouts:	22.1 mm (0.87 in) diameter opening Five (5) locations: 1 on top panel 4 on side can
Safety Agency Rating:	Suitable for use in air handling spaces, per U.L.-2043, U.L.- 1480, NFPA90, NFPA70A. In accordance with IEC60849 / EN60849.
Dimensions (Height):	193 mm (7.62 in) above ceiling 206 mm (8.1 in) total height
(Diameter):	337 mm (13.3 in)
(Cut out):	310 mm (12.2 in)
Net Weight:	3.0 kg (6.5 lb)
Shipping Weight:	4.0 kg (9 lb)
Included Accessories:	4 pcs #10 x 0.75 in metal screws for another system of mounting baffle to backbox.

JBL continually engages in research related to product improvement. Changes introduced into existing products without notice are an expression of that philosophy.

System Assembly:



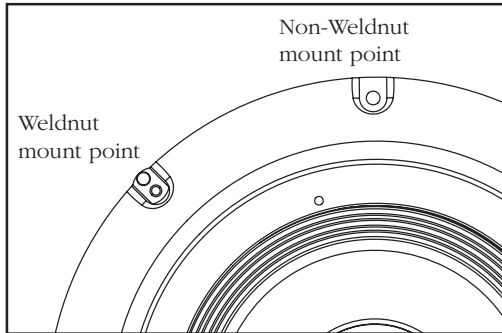
Control 227C or 227CT



MTC-RG6/8 Grille

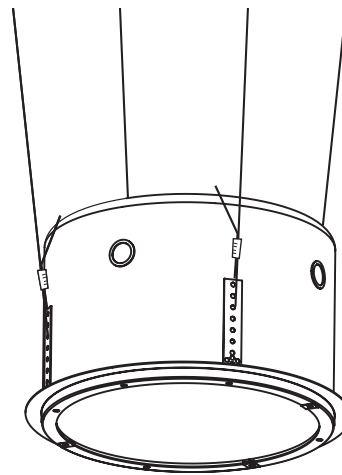
► MTC-200BB6 Backcan Assembly

Assembling the Control 227C/CT into the Back Can - After inserting the Control 227C/CT into the back can, align the mounting holes without weldnuts to the holes with clip nuts on the back can. These are the mounting points that will be used to secure the Control 227C/CT baffle and driver to the backcan.

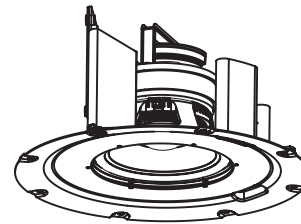


Next, using 4 pcs - #10 x 0.75 in (19mm) sheet metal screw, attach the baffle / driver to the back can. Be sure to match the mounting holes without weldnuts to clipnuts on back can.

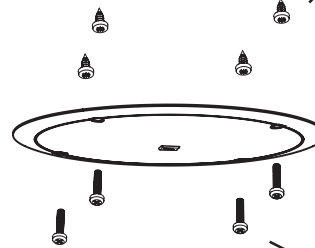
Finally, using 4 pcs - M4 x 38mm powder coated machine screws, attach the metal grille to the baffle. Be sure to match the grille mounting holes to the weldnuts on the baffle assembly.



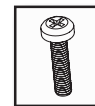
IMPORTANT!
See "Securing Loudspeaker Assembly to the Building Structure" details below.



4 pcs - #10 x 0.75 in (19 mm) sheet metal screw for attaching the baffle / driver to the back can. Match to clipnuts on back can. (Included with MTC-200BB6.)



4 pcs - M4 x 38mm powder coated machine screws for attaching the metal grille to the baffle. (Included with MTC-RG6/8 grille.)



IMPORTANT: SECURING LOUDSPEAKER ASSEMBLY TO THE BUILDING STRUCTURE

The backcan must be secured to the building structure by qualified personnel in accordance with safe installation practices. Use suspension materials, connection fixturing, and methods that are appropriate for the building structure and installation conditions. Employ a minimum 5:1 safety factor for each suspension point, or higher if required by code. For MTC-200BB6 with a Control 227C/CT a 5:1 safety factor requires that each suspension point be rated to support a minimum of 52 kg (115 lbs).



JBL Professional
8500 Balboa Boulevard, P.O. Box 2200
Northridge, California 91329 U.S.A.

■ A Harman International Company
© Copyright 2007 JBL Professional

SS MTC200BB6
CRP_5M
10/07