

# FUSION® LARGE TABLE STANDS

Chief's new Fusion® Table Stands safely support large monitors and displays, and are designed with user-friendly swivel and cable management features. Perfect for conference rooms, hospitality and event applications. Available in bolt-down and freestanding solutions.



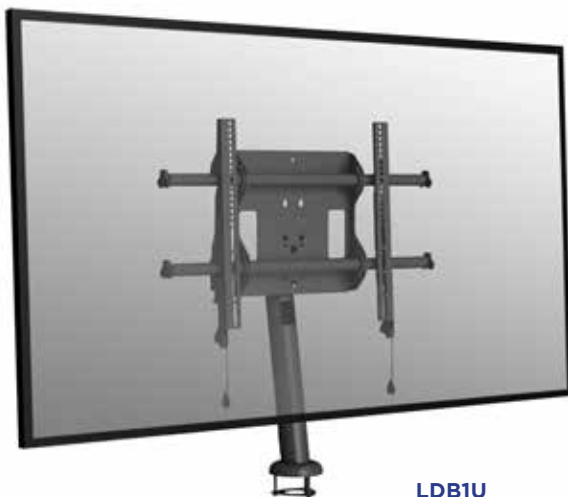
LDS1U



LDB1U



LDS1U



LDB1U

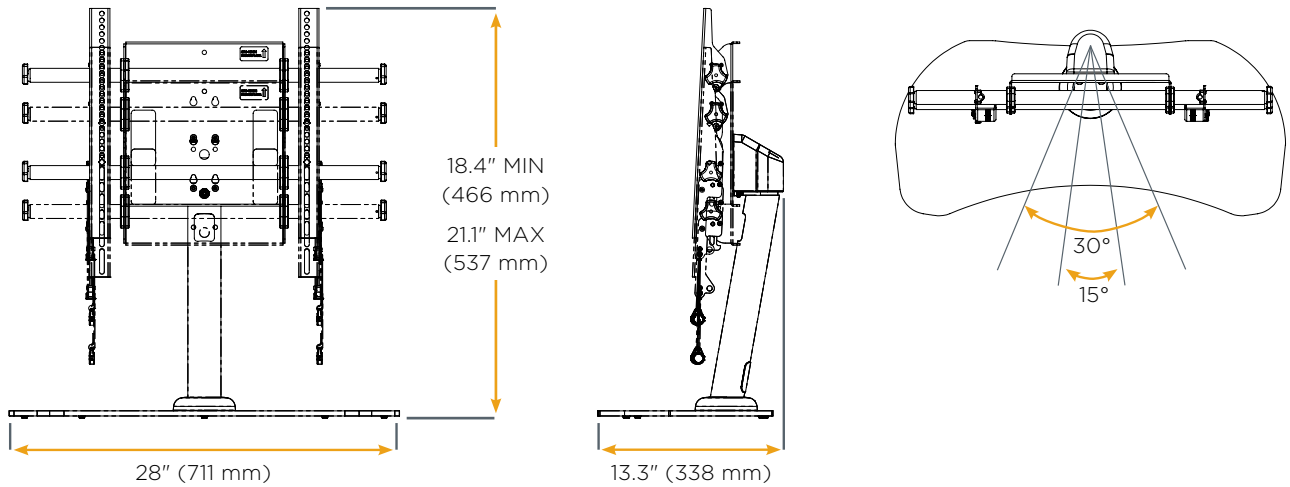
## FEATURES

- Built-in universal interface fits most 46 - 70" displays and provides everything needed for installation in just one SKU
- Weight capacity range up to 125 lbs. (56.7 kg) for simple specification - perfect for Dell®, Apple® and other heavy displays and monitors
- Mounting pattern range: VESA® 100 x 100 mm - 640 x 400 mm
- Vertical height adjustment of 3" (76 mm)
- Prevent display from colliding with walls or furniture by setting rotation limits at +/- 15° or 30°
- Easily route and conceal cables through a wide, in-column channel for a clean finish
- Set screw locks display mount once centered, preventing horizontal shifting
- LDS1U is UL and TUV rated. LDB1U is TUV rated.
- Works with Fusion Camera Shelf and Speaker Adapter Accessories FCA800, FCA801, FCA870, FCA830 and with Fusion CPU Accessories FCA112 and FCA110

**SPECIFICATIONS**

Model	Description	Weight Capacity	Orientation	Swivel Range	Display Height Range	Typical Display Sizes	Mounting Pattern Compatibility	Finish
LDS1U	Large Fusion Table Stand	125 lbs. (56.7 kg)	Landscape	+/- 15° or 30°	22 - 38"	46 - 70"	100 x 100 mm - 640 x 400 mm	Black
LDB1U	Large Fusion Bolt-Down Table Stand							

**LDS1U**



**LDB1U**

