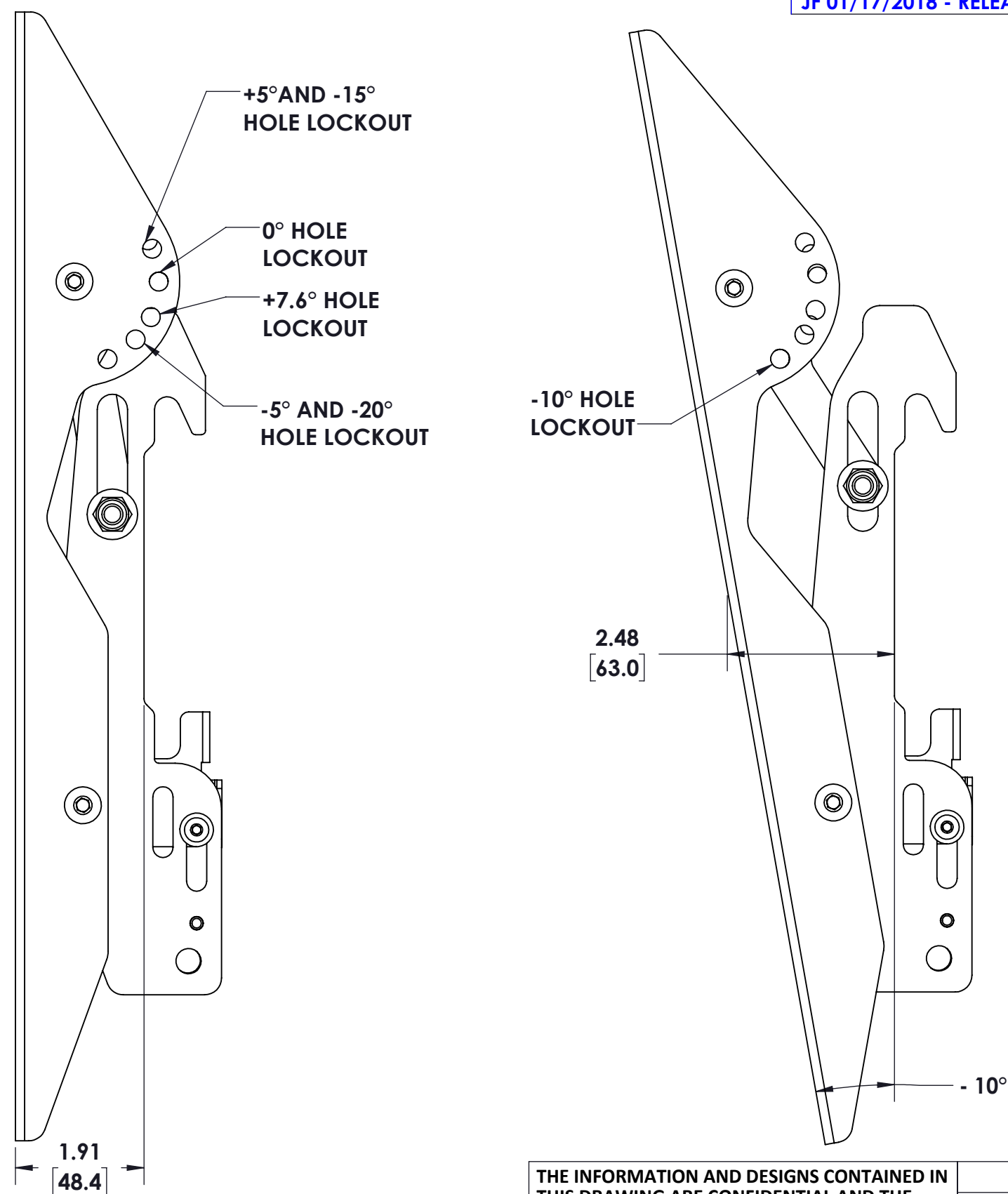


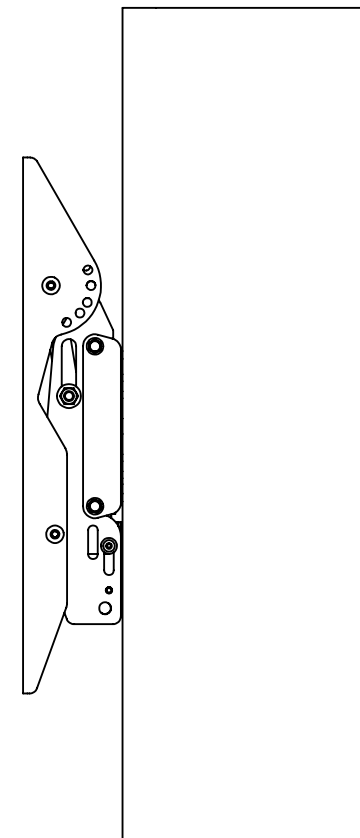
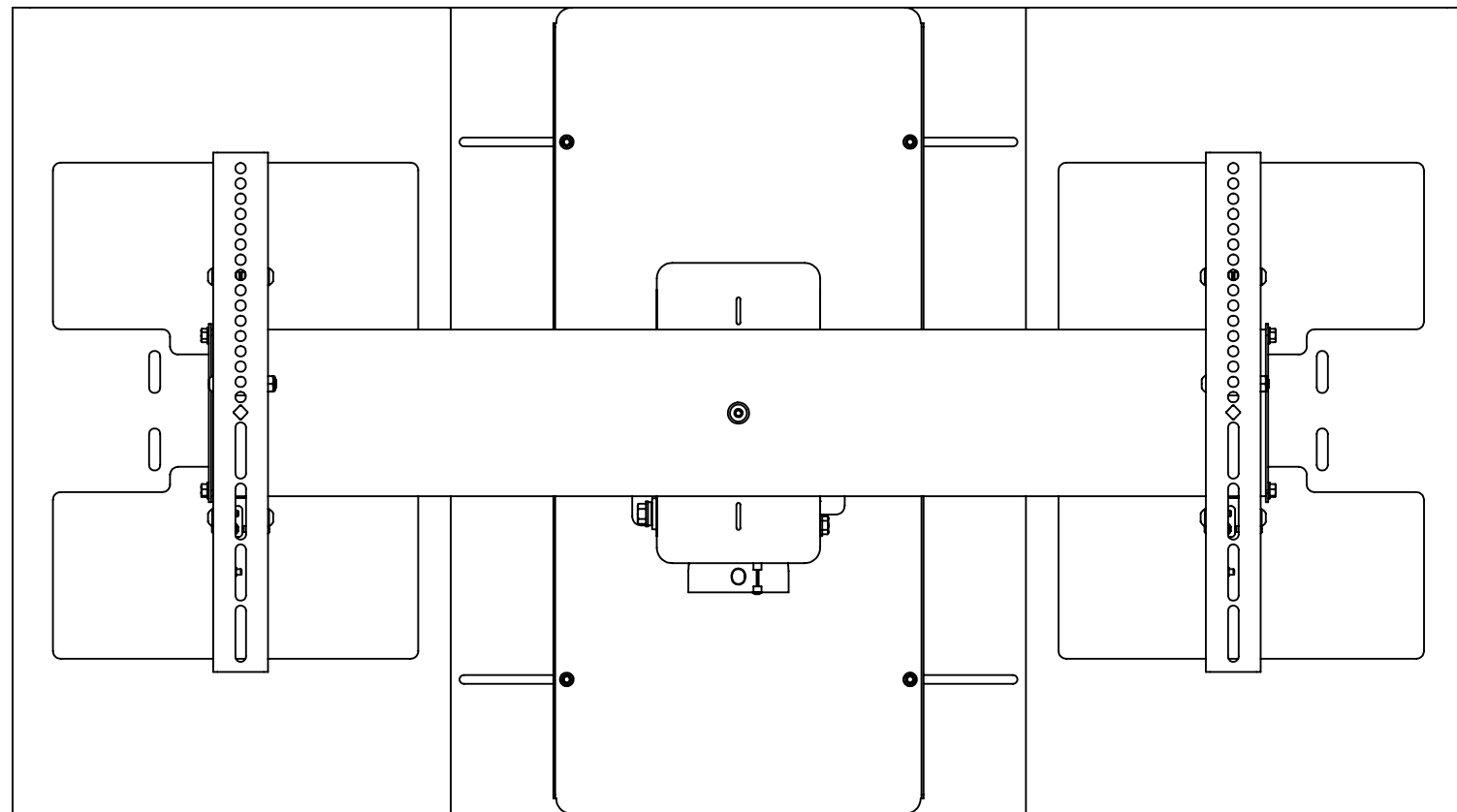
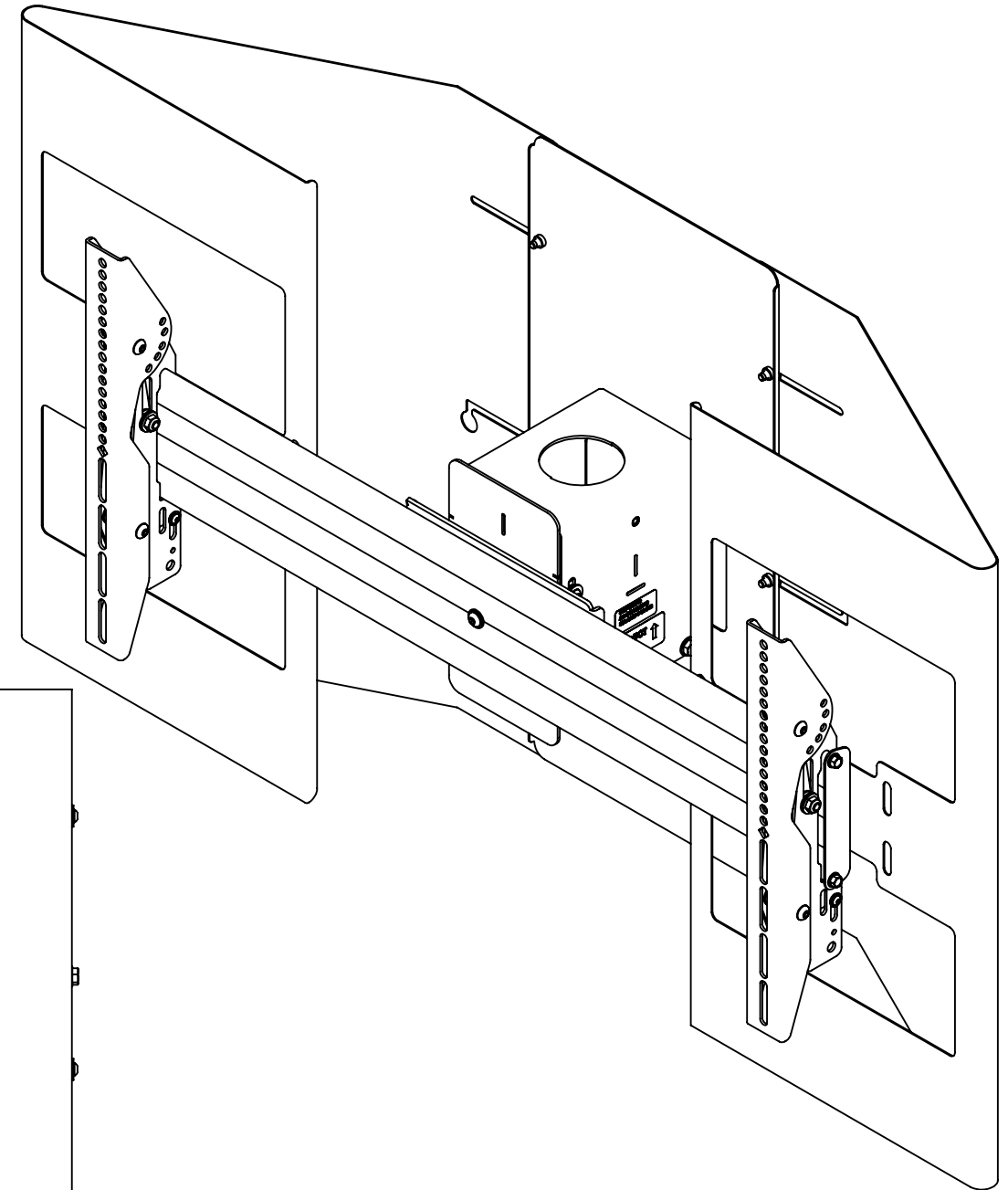
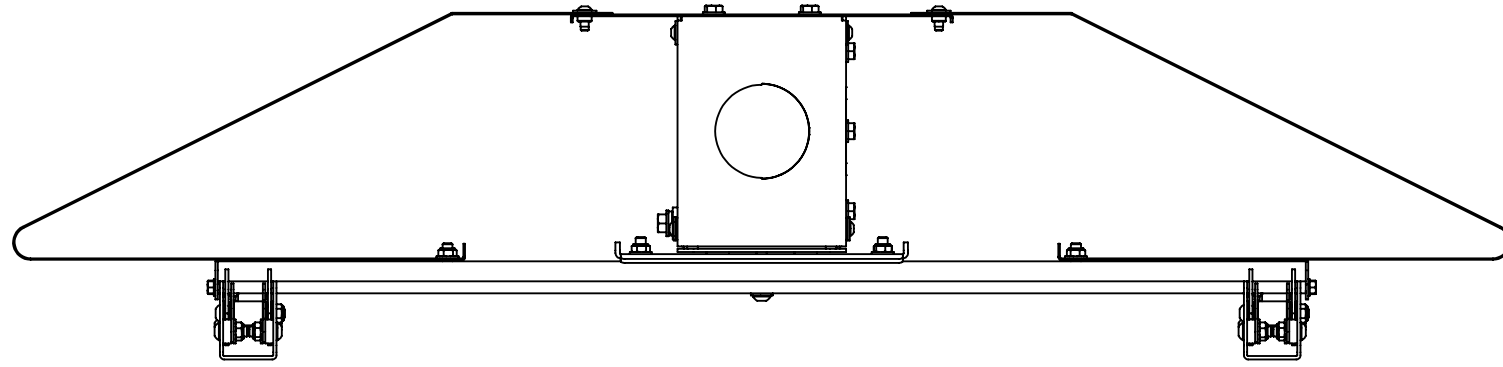
THE INFORMATION AND DESIGNS CONTAINED IN THIS DRAWING ARE CONFIDENTIAL AND THE PROPRIETARY PROPERTY OF MILESTONE AV TECHNOLOGIES NEITHER THIS DESIGN NOR ANY INFORMATION CONTAINED IN THIS DRAWING MAY BE REPRODUCED OR DISCLOSED TO OTHERS WITHOUT THE EXPRESS WRITTEN CONSENT OF MILESTONE AV TECHNOLOGIES.

CAD GENERATED DRAWING, DO NOT MANUALLY UPDATE.			
DRAWN BY	JF	12/20/2017	<p>6436 CITY WEST PKWY EDEN PRAIRIE MN, 55344 PHONE: 866-977-3901 FAX: 877-894-6918</p>
ENG APPROVAL			
MFG APPROVAL			
QA APPROVAL			DESCRIPTION ODM LFP CEILING SINGLE MNT
SHEET 1 OF 3			MODEL NO. OLCM1U
SCALE	1:8	SIZE	DWG. NO. TECH-000884
			REV. 00




THE INFORMATION AND DESIGNS CONTAINED IN THIS DRAWING ARE CONFIDENTIAL AND THE PROPRIETARY PROPERTY OF MILESTONE AV TECHNOLOGIES NEITHER THIS DESIGN NOR ANY INFORMATION CONTAINED IN THIS DRAWING MAY BE REPRODUCED OR DISCLOSED TO OTHERS WITHOUT THE EXPRESS WRITTEN CONSENT OF MILESTONE AV TECHNOLOGIES.

CAD GENERATED DRAWING, DO NOT MANUALLY UPDATE.			6436 CITY WEST PKWY EDEN PRAIRIE MN, 55344 PHONE: 866-977-3901 FAX: 877-894-6918			
DRAWN BY	JF	12/20/2017				
ENG APPROVAL			DESCRIPTION			
MFG APPROVAL			ODM LFP CEILING SINGLE MNT			
QA APPROVAL			MODEL NO.			
SHEET 2 OF 3			SCALE	SIZE	DWG. NO.	REV.
			1:2	B	TECH-000884	00



THE INFORMATION AND DESIGNS CONTAINED IN THIS DRAWING ARE CONFIDENTIAL AND THE PROPRIETARY PROPERTY OF MILESTONE AV TECHNOLOGIES NEITHER THIS DESIGN NOR ANY INFORMATION CONTAINED IN THIS DRAWING MAY BE REPRODUCED OR DISCLOSED TO OTHERS WITHOUT THE EXPRESS WRITTEN CONSENT OF MILESTONE AV TECHNOLOGIES.

CAD GENERATED DRAWING, DO NOT MANUALLY UPDATE.				 6436 CITY WEST PKWY EDEN PRAIRIE MN, 55344 PHONE: 866-977-3901 FAX: 877-894-6918	
DRAWN BY	JF	12/20/2017	DESCRIPTION		
ENG APPROVAL			ODM LFP CEILING SINGLE MNT		
MFG APPROVAL			MODEL NO.		
QA APPROVAL			OLCM1U		
SHEET 3 OF 3		SCALE	SIZE	DWG. NO.	REV.
		1:6	B	TECH-000884	00