

**Project:**

**Type:**

**Prepared By:**

**Date:**



UPC: 019813749952



### Features and Benefits

PAR REPLACEMENT - Replaces conventional PAR lamps

ENERGY SAVINGS - Save up to 85% on energy

WET RATED - Suitable for use outdoors

ENCLOSED FIXTURE RATED - May be used in enclosed and open fixtures

DIMMABLE - Compatible with most common dimmer models

SHATTERPROOF - Plastic lamps for rugged applications

80 CRI - Ideal for general lighting applications

## Technical Specifications

### Technical Specifications

**Product Type:**

PAR

**Bulb Shape:**

PAR38

**Wattage:**

15W

**Typical Lumen Output:**

1050

**Efficacy:**

70 lm/W

**Color Temperature:**

3000K Warm White

**CRI:**

80

**Base Type:**

E26

**L70 Lifespan:**

25,000 hours

**Operating Temperature:**

-20°C - 45°C

**Dimmable:**

Yes, down to 20%

**Beam Angle:**

40°

**Warranty:**

4-Year, No-Compromise Warranty

**For Use in Emergency Fixtures:**

No

**For Use Outdoors in Open Fixtures:**

Yes

### Electrical Characteristics

**Input Voltage:**

120V

**Power Factor:**

0.7

## Technical Specifications (continued)

### Electrical Characteristics

**Flicker:**

<30%

**Listings**

**UL Listed:**

Yes

**ENERGY STAR V2.0:**

This product is ENERGY STAR® Version 2.0 Certified

**Energy Star ID:**

2330084

**CEC Status:**

Not lawful for sale in California

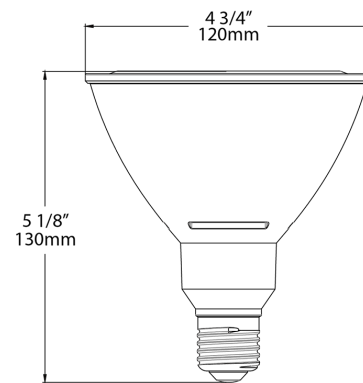
**Other**

:

## Case and Pallet Dimensions

	QTY	LENGTH (in)	WIDTH (in)	HEIGHT (in)
<b>CASE</b>	6	15.1	10.2	6.1
<b>PALLET</b>	360	45.4	35.5	48.5

## Dimension



## Light Distribution

