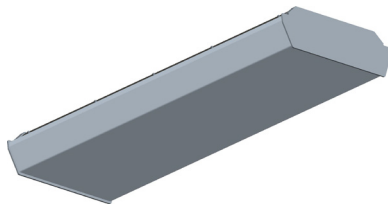


INSTRUCTIONS

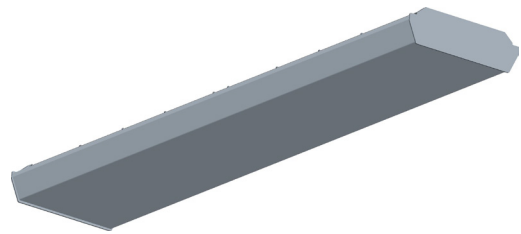
GUS INSTALLATION

RAB®

RAB Lighting is committed to creating high-quality, affordable, well-designed and energy-efficient LED lighting and controls that make it easy for electricians to install and end users to save energy. We'd love to hear your comments. Please call the Marketing Department at 888-RAB-1000 or email: marketing@rablighting.com



GUS- 2FT



GUS - 4FT

IMPORTANT

READ CAREFULLY BEFORE INSTALLING FIXTURE. RETAIN THESE INSTRUCTIONS FOR FUTURE REFERENCE.

RAB fixtures must be wired in accordance with the National Electrical Code and all applicable local codes. Proper grounding is required for safety. THIS PRODUCT MUST BE INSTALLED IN ACCORDANCE WITH THE APPLICABLE INSTALLATION CODE BY A PERSON FAMILIAR WITH THE CONSTRUCTION AND OPERATION OF THE PRODUCT AND THE HAZARDS INVOLVED.

WARNING: Make certain power is OFF before installing or maintaining fixture. No user serviceable parts inside.

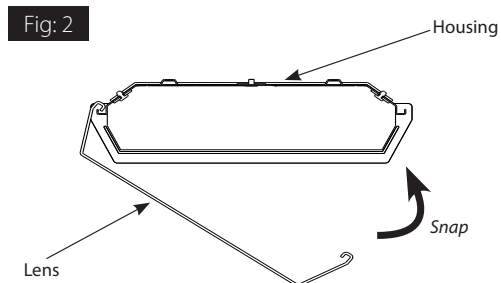
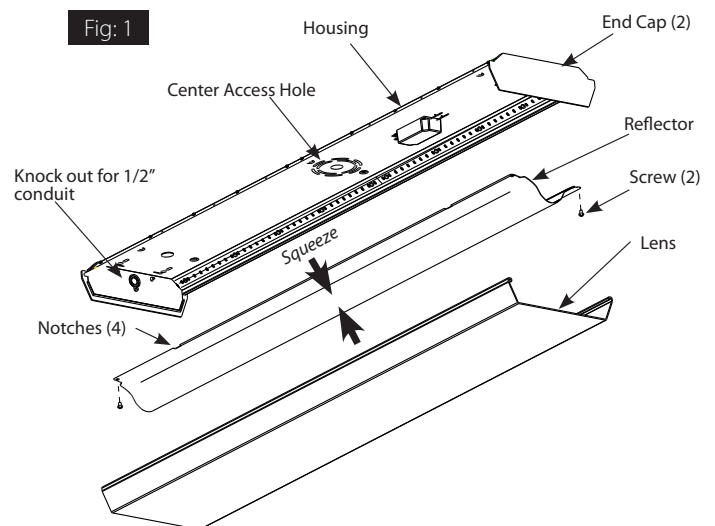
CAUTION: For proper weatherproof function all gaskets must be seated properly and all screws inserted and tightened firmly. Apply weatherproof silicone sealant around the edge of the ceiling mounting box and/or junction box. This is especially important with an uneven ceiling surface. Silicone all plugs and unused conduit entries.

CEILING MOUNTING

The fixture is suitable for indoor applications.

1. Carefully snap out **Lens** one side at a time from **Housing**.
2. Remove **Screws (2)** from **Reflector** and discard. Squeeze center of **Reflector** and release from **Notches**.
3. Pull supply wires from Junction Box (not supplied) through **Center Access Hole** of **Housing** as shown in Fig. 1. Use appropriate UL rated wire connectors as required by code to make electrical splices to fixture leads.
4. Follow appropriate mounting and wiring instructions per code.
5. Once connections are made push all wires behind the **Reflector**.
6. Replace **Reflector**. Be careful not to pinch wires. Hook **Lens** to one side of **Housing** and Snap **Lens** into place as shown in Fig. 2.

WARNING: To prevent wiring damage or abrasion, do not expose wiring to edges of sharp objects.



INSTRUCTIONS

GUS INSTALLATION



RAB Lighting is committed to creating high-quality, affordable, well-designed and energy-efficient LED lighting and controls that make it easy for electricians to install and end users to save energy. We'd love to hear your comments. Please call the Marketing Department at 888-RAB-1000 or email: marketing@rablighting.com

SURFACE MOUNTING

The fixture is suitable for indoor applications for ceiling or wall mounting. Mount to a recessed octagonal junction box as follows:

1. Secure **Housing** to junction box or mount **Housing** directly to sturdy surface by using the **Drill Locations** (6 holes for 4 FT fixture, 4 holes for 2 FT) Fig. 3. Use the appropriate mounting hardware for the mounting surface.
2. Follow steps 5 and 6 in Ceiling Mounting section.

CONDUIT MOUNTING

Housing can be mounted with 1/2" conduit on the End cap.

1. Knock out the conduit location before removing the lens.
2. Pull supply wires from Conduit (not supplied) through **Knock out Hole** of **Housing** as shown in Fig. 1.
3. Remove lens and reflector to access the fixture wire.
4. Follow appropriate mounting and wiring instructions per code.

PENDANT MOUNTING

The fixture is suitable for pendant mounting indoor applications.

1. For pendant mounting, mount 1/2" **pendant** (not provided) to holes provided as shown in Fig. 4.
2. Secure **Housing** to Pendant with the locknut from the inside as shown in Fig 4. Use the appropriate mounting hardware for mounting Pendant to mounting surface.
3. Pass the Supply wires through the pendant and make electrical connections according to code.

V-HOOK MOUNTING

The fixture can be mounted using V-hook (ordered separately as VHOOKGUS).

1. Mount **V-hook** to the housing as shown in fig. 5. Use the appropriate mounting hardware for the mounting surface.
2. For electrical wiring, snap out the Lens and reflector as shown in Fig.1.
3. Pull supply wires in fixture through Central Access Hole. Use appropriate UL rated wire connectors as required by code to make electrical splices to fixture leads.

Fig: 3

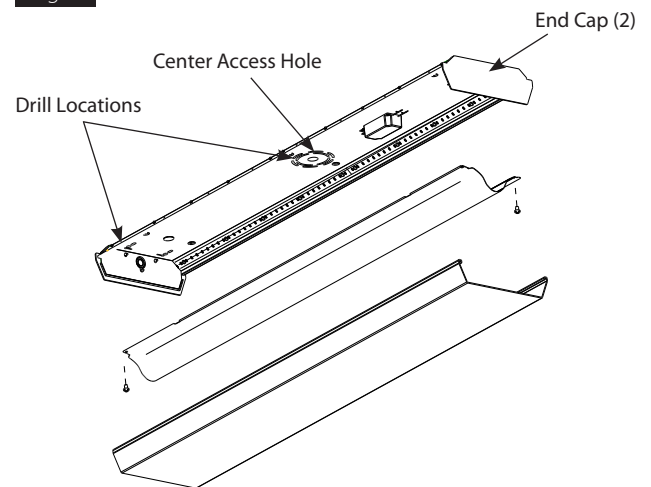


Fig: 4

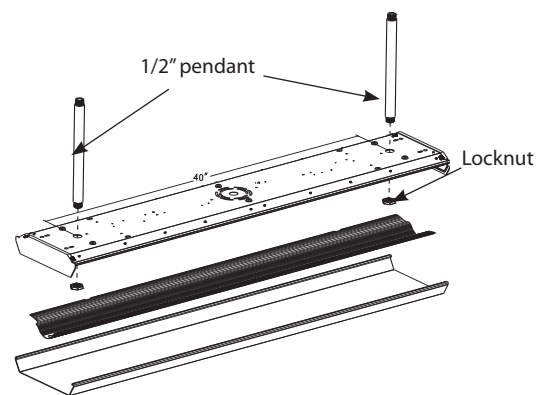
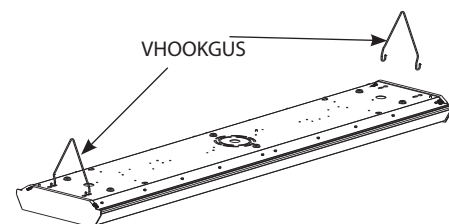


Fig: 5



INSTRUCTIONS

GUS INSTALLATION

RAB®

RAB Lighting is committed to creating high-quality, affordable, well-designed and energy-efficient LED lighting and controls that make it easy for electricians to install and end users to save energy. We'd love to hear your comments. Please call the Marketing Department at 888-RAB-1000 or email: marketing@rablighting.com

ACCESSORIES - GUS JCAP

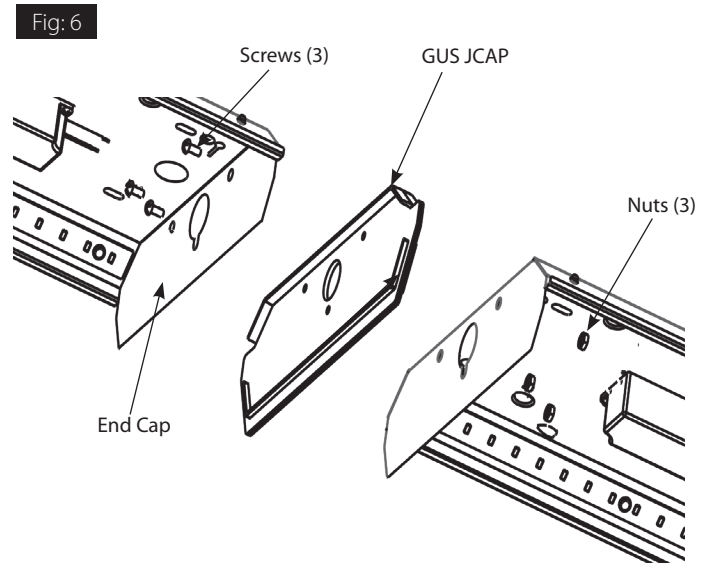
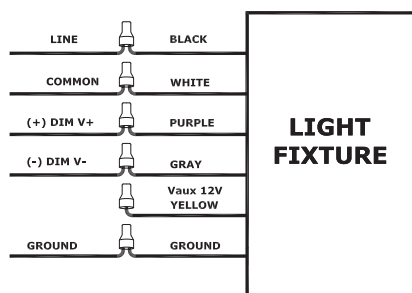
(ordered separately) - Fig. 6

1. Remove **End Caps** (2) from both **Housings** and replace with **GUS JCAP**.
2. Secure **GUS JCAP** with **Screws** (3) and **Nuts** (3) provided as shown in Fig. 6 to join both Housings.
3. Follow directions on Page 1 to secure **Housings** to mounting surface. If necessary feed wires through from one fixture to the other.

0-10V DIMMABLE WIRING

Universal voltage driver permits operation at 120V thru 277V, 50 or 60 Hz. For 0-10V Dimming, follow the wiring directions in Fig. 7.

1. Connect the black fixture lead to the LINE supply lead.
2. Connect the white fixture lead to the COMMON supply lead.
3. Connect the GROUND wire from fixture to supply ground.
4. Connect the purple fixture lead to the (V+) DIM lead.
5. Connect the gray fixture lead to the (V-) DIM lead.
6. Cap the yellow fixture lead, if present. Do NOT connect.



CLEANING & MAINTENANCE

CAUTION: Be sure fixture temperature is cool enough to touch. Do not clean or maintain while fixture is energized.

1. Clean acrylic lens with non-abrasive cleaning solution.
2. Do not open the fixture to clean the LEDs. Do not touch the LEDs.

TROUBLESHOOTING

1. Check that the line voltage at the fixture is correct. Refer to wiring directions.
2. Is the fixture grounded properly?