

INSTRUCTIONS

HAYBAY® INSTALLATION

RAB®

RAB Lighting is committed to creating high-quality, affordable, well-designed and energy-efficient LED lighting and controls that make it easy for electricians to install and end users to save energy. We'd love to hear your comments. Please call the Marketing Department at 888-RAB-1000 or email: marketing@rablighting.com



HAYBAY

IMPORTANT

READ CAREFULLY BEFORE INSTALLING FIXTURE. RETAIN THESE INSTRUCTIONS FOR FUTURE REFERENCE.

RAB fixtures must be wired in accordance with the National Electrical Code and all applicable local codes. Proper grounding is required for safety. THIS PRODUCT MUST BE INSTALLED IN ACCORDANCE WITH THE APPLICABLE INSTALLATION CODE BY A PERSON FAMILIAR WITH THE CONSTRUCTION AND OPERATION OF THE PRODUCT AND THE HAZARDS INVOLVED.

WARNING: Make certain power is OFF before installing or maintaining fixture. No user serviceable parts inside.

WARNING: To prevent wiring damage or abrasion, do not expose wiring to edges of sharp objects.

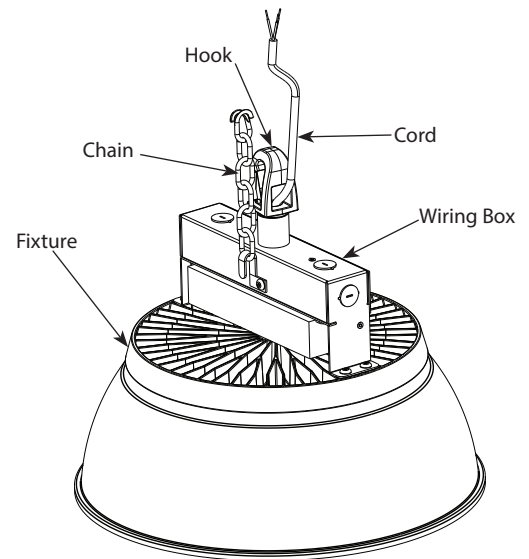
FIXTURE MOUNTING

For Hook Mounting (Fig 1)

CAUTION: SUITABLE FOR DAMP LOCATION OR INDOOR APPLICATIONS WITH HOOK & CORD

1. Open **Wiring Box** to gain access to wiring connections.
2. Slide **Cord** through the **Hook**.
3. Mount **Fixture** with **Hook** to a sturdy ceiling structure.
4. Use **Chain** (*supplied by others*) for supplemental support while installing the fixture.
5. Connect **Cord** to supply wires inside a junction box using approved wire connectors.

Fig: 1

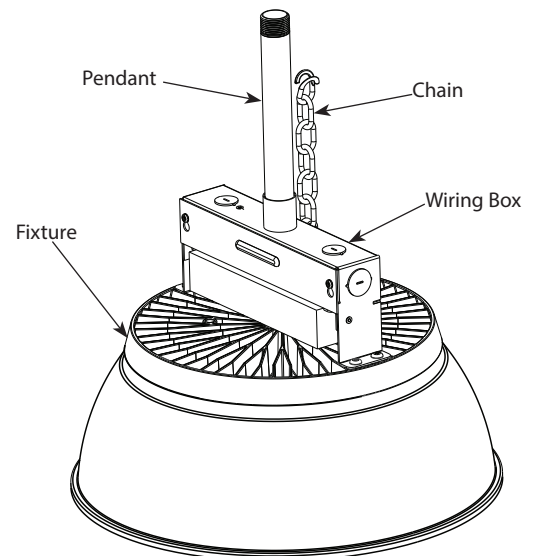


For Pendant Mounting (Fig 2)

CAUTION: SUITABLE FOR DAMP LOCATION OR INDOOR APPLICATIONS WITH PENDANT STEM (3/4" NPS Pendant Stem, supplied by others)

1. Feed **Cord** through **Pendant stem**. **Cord** may be replaced if more length is required.
2. Connect supply wires to fixture wires inside a junction box using approved wire connectors.
3. Use **Chain** (*supplied by others*) for supplemental support of **Fixture**.

Fig: 2



INSTRUCTIONS

HAYBAY® INSTALLATION



RAB Lighting is committed to creating high-quality, affordable, well-designed and energy-efficient LED lighting and controls that make it easy for electricians to install and end users to save energy. We'd love to hear your comments. Please call the Marketing Department at 888-RAB-1000 or email: marketing@rablighting.com

ALUMINUM REFLECTOR MOUNTING

Mounts directly to **Fixture Housing** with (4) 8-32 x 1/4 Phillips screws (*supplied with housing*).

1. Align and place **Screws** through clearance holes on **Reflector** as shown. (**Fig 3**), see Position 1 as shown in **Fig. 4**.
2. Turn **Reflector** clockwise to lock in place.
3. Tighten **Screws** to secure **Reflector**.

Fig: 3

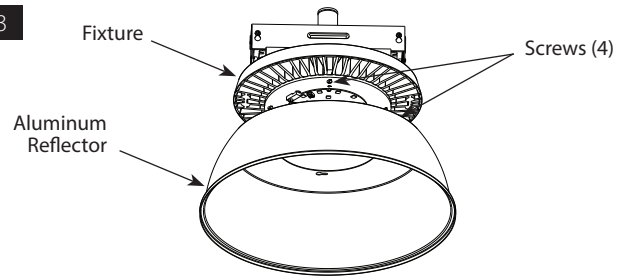
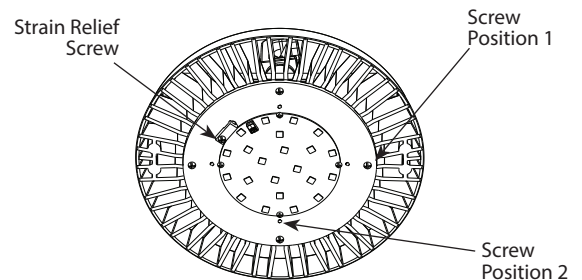


Fig: 4

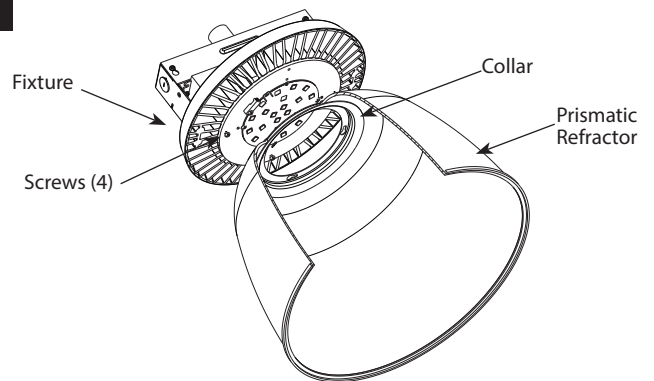


TALL OR SHORT PRISMATIC REFRACTOR & COLLAR MOUNTING

(Collar required for tall prismatic refractor).

1. Move **Screw** from **Position 1** (for aluminum reflector) to **Position 2** (for prismatic refractor) as shown. (**Fig 4**).
2. Insert **Collar** inside **Prismatic Refractor** as shown in **Fig 5**. Place screw head through clearance hole in collar.
3. Turn collar clockwise to lock in place.
4. Tighten **Screws** on **Collar** to secure.

Fig: 5

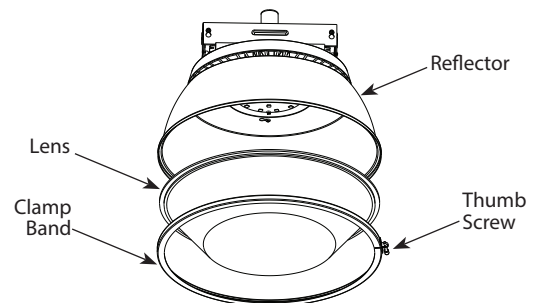


ACCESSORIES

Lens Mounting (*Clamp Band needed for lens mounting*).

1. Loosen **Thumb Screw** on **Clamp Band** as shown in **Fig 6**.
2. Mount lens onto **Reflector** (or *refractor*).
3. Orient **Clamp Band** so wide edge faces down, then place over **Lens** and **Reflector**.
4. Tighten **Thumb Screw** until assembly is secure.

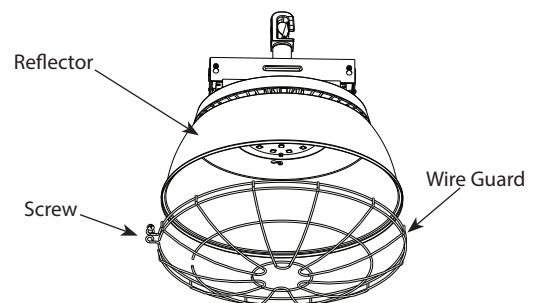
Fig: 6



Wire Guard Mounting

1. Mount **Wire Guard** over **Reflector** as shown in **Fig 7**.
2. Tighten **Screw** to secure **Wire Guard**.

Fig: 7



INSTRUCTIONS

HAYBAY® INSTALLATION



RAB Lighting is committed to creating high-quality, affordable, well-designed and energy-efficient LED lighting and controls that make it easy for electricians to install and end users to save energy. We'd love to hear your comments. Please call the Marketing Department at 888-RAB-1000 or email: marketing@rablighting.com

OCCUPANCY SENSOR MOUNTING

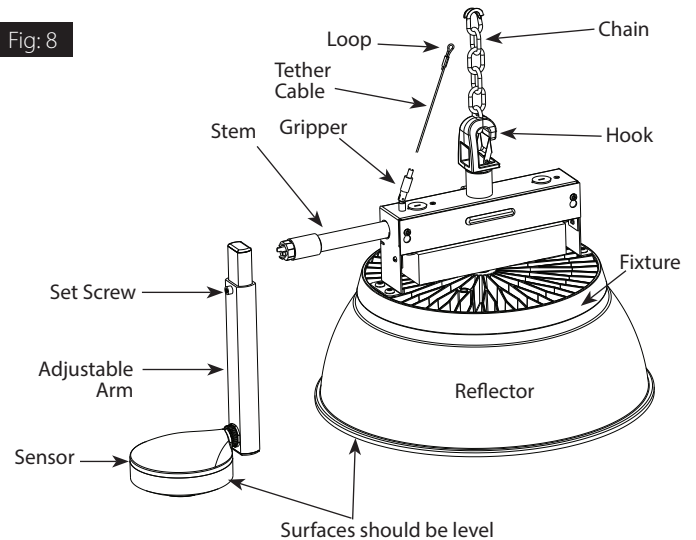
Large sensor kit for use with reflector accessory. Small sensor kit functions and mounts in the same manner.

1. Connect **Adjustable Arm** to **Stem**, which will snap into place as shown. (Fig 8).
2. To adjust height of **Adjustable Arm**, loosen **Set Screw**. Bottom of **Arm** should be roughly aligned with bottom of **Reflector** accessory or base of **Fixture**. Tighten **Set Screw** when surfaces are level.

To Level Fixture

1. Remove **Tether Cable** from **Gripper**.
2. Feed straight end of **Tether Cable** through closest link on **Chain** and then through the end **Loop** on itself.
3. Continue to feed **Tether Cable** end through **Gripper**.
4. Pull **Tether Cable** and **Gripper** in opposite directions, which will feed more cable through the **Gripper**, until fixture is level.
5. Using approved tools (*supplied by others*), cut away the excess length of **Tether Cable** sticking out of the **Gripper**.

Fig: 8



SENSOR WIRING

The following sensors are compatible with HAYBAY: LCHBSENSE15/D10, LOSBAY800 (Fig 9).

Wiring: Universal voltage driver permits operation at 120V thru 277V, 50 or 60 Hz (Fig 10).

1. Connect the **Black** fixture lead to the **LINE** supply lead.
2. Connect the **White** fixture lead to the **COMMON** supply lead.
3. Connect the **Ground** wire from fixture to **Supply** ground.

Fig: 9

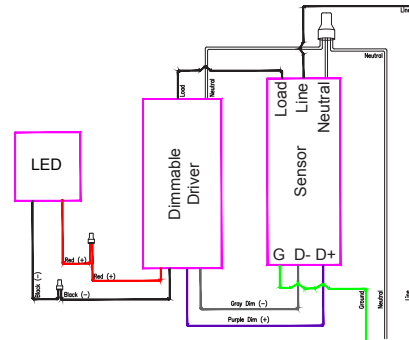
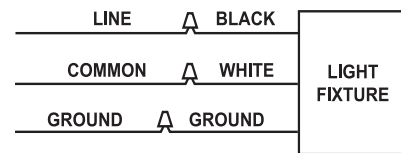


Fig: 10



CLEANING & MAINTENANCE

CAUTION: Be sure fixture temperature is cool enough to touch. Do not clean or maintain while fixture is energized.

1. Clean fixture and components with non-abrasive cleaning solution.
2. Do not open fixture to clean the LED. Do not touch the LED.

Note: These instructions do not cover all details or variations in equipment nor do they provide for every possible situation during installation operation or maintenance.

TROUBLESHOOTING

1. Check that the line voltage at the fixture is correct. Refer to wiring directions.
2. Is the fixture grounded properly?

For Sensors:

1. Is motion in detection range?
2. Is sensitivity too high (*false detections*) or too low (*lack of detection*)?



Easy Answers

rablighting.com
Visit our website for product info

Tech Help Line
Call our experts: 888 722-1000

e-mail
Answered promptly - sales@rablighting.com

Free Lighting Layouts
Answered online or by request