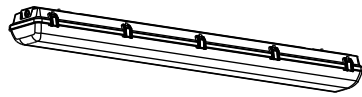


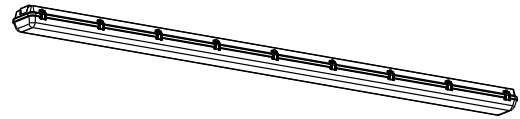
SEAL™ 4FT/ 8FT INSTALLATION INSTRUCTIONS

RAB
LIGHTING

Thank you for buying RAB lighting fixtures. Our goal is to design the best quality products to get the job done right. We'd like to hear your comments. Call the Marketing Department at 888-RAB-1000 or email: marketing@rabweb.com



SEAL - 4FT



SEAL - 8FT

IMPORTANT

READ CAREFULLY BEFORE INSTALLING FIXTURE. RETAIN THESE INSTRUCTIONS FOR FUTURE REFERENCE.

Fixtures must be wired in accordance with the National Electrical Code and all applicable local codes. Proper grounding is required for safety. THIS PRODUCT MUST BE INSTALLED IN ACCORDANCE WITH THE APPLICABLE INSTALLATION CODE BY A PERSON FAMILIAR WITH THE CONSTRUCTION AND OPERATION OF THE PRODUCT AND THE HAZARDS INVOLVED.

WARNING: Make certain power is OFF before installing or maintaining fixture. No user serviceable parts inside.

CAUTION:

- For proper weatherproof function all gaskets must be seated properly and all screws and plugs inserted and tightened firmly. Silicone all plugs and unused conduit entries.

SURFACE MOUNTING

The fixture is suitable for outdoor applications in wet locations either ceiling or wall mounted.

1. Use appropriate mounting hardware (not supplied) to secure the **Snap On Brackets** to mounting surface. Refer to recommended **Snap On Bracket** in **Fig. 1** for SEAL 4ft and **Fig 2** for SEAL 8ft.

WARNING: Mount Snap On Brackets symmetrical about the center as shown in **Fig. 1** and **Fig. 2**. **Snap On Brackets** must be aligned with each other to secure **Housing**.

2. Electrical splices can be easily made using 6ft cord attached to one end of **Housing** for SEAL 8ft. In order to use an alternate entry point for SEAL 8ft and for SEAL 4ft, follow below steps 3-8.
3. Unlatch the **Lens** from **Housing**.
4. Snap out the **LED & Heat Sink Assembly**. **Tether Cables** (2 for SEAL 4ft and 3 for SEAL 8ft) are provided, if required.
5. For an alternate conduit entry point, drill knockout (2 locations on SEAL 4ft and 3 locations on SEAL 8ft) on the back of **Housing** or side conduit entry knockout (2 locations on SEAL 4ft & SEAL 8ft). Unused knocked out hole should be sealed using the white silicone plug (provided one piece in hardware polybag).
6. Feed supply power cord through cord-grip to make electrical splices.
7. Use appropriate UL approved wire connectors as required by code to complete wiring with supply wires. Be careful not to pinch wires. Quick connector is provided for easy installation, if required.
WARNING: To prevent wiring damage or abrasion, do not expose wiring to edges of sharp objects.
8. Snap in **LED and Heat Sink Assembly** and secure **Lens** to **Housing** by **Latch**. Be careful not to pinch wires. Check that gasket is fully sealed.
9. Snap **Housing** on **Snap On Brackets** as shown in **Fig. 3**.
10. Use silicone or teflon tape on all conduit entry points.

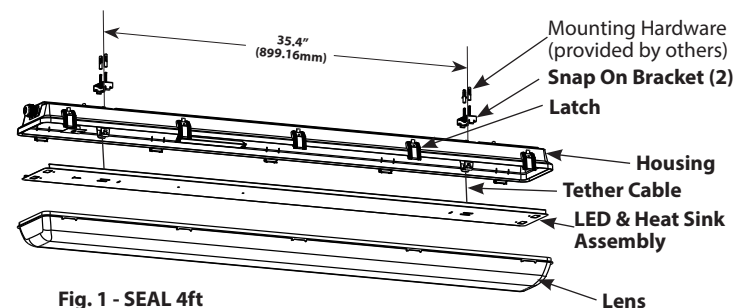


Fig. 1 - SEAL 4ft

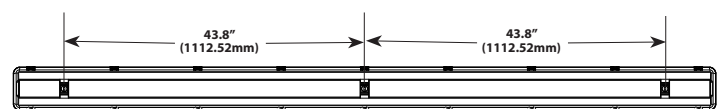


Fig. 2 - SEAL 8ft

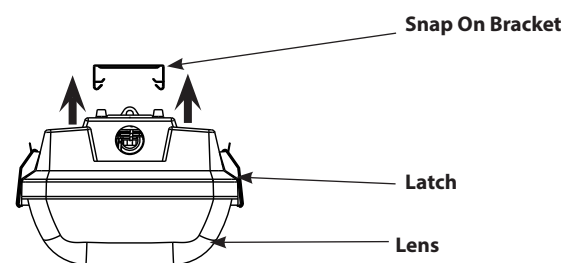


Fig. 3

SEAL™ 4FT/ 8FT INSTALLATION INSTRUCTIONS

Thank you for buying RAB lighting fixtures. Our goal is to design the best quality products to get the job done right. We'd like to hear your comments. Call the Marketing Department at 888-RAB-1000 or email: marketing@rabweb.com

VHOOK MOUNTING

Suspend **Housing** to sturdy ceiling structure as follows:

1. Snap **Housing** on **Snap On Brackets** as shown in **Fig. 3**.
2. Electrical splices can be easily made using 6ft cord attached to one end of Housing for SEAL 8ft. In order to use an alternate entry point for SEAL 8ft and for SEAL 4ft, follow steps 3-8 under Surface Mounting section.
3. **V Hooks** (2 pc on SEAL 4ft and 3 pc on SEAL 8ft) are provided for chain mounting. Loop **V Hooks** through **Snap On Bracket** at back of **Housing** as in **Fig. 4**.
4. Connect to two (for SEAL 4ft) or three (for SEAL 8ft) equal lengths of chain (by others) and/or appropriate hardware (by others) suitable for mounting surface, to suspend **Housing** from **V Hooks**.
5. Fixture mounting height and spacing should be determined by application requirements. Use chain suitable to support four (4) times the weight of the fixture.
6. Use silicone or teflon tape on all conduit entry points.

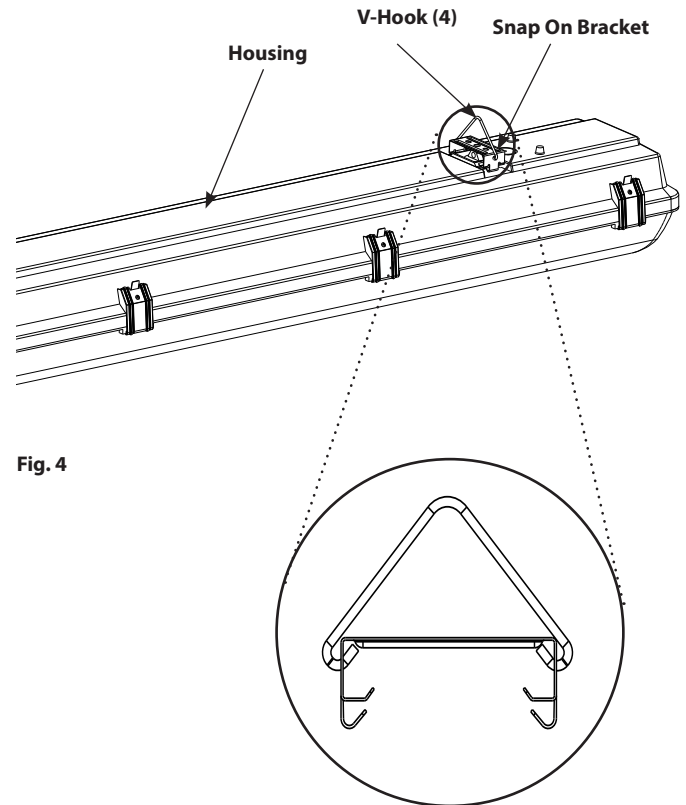


Fig. 4

0-10V DIMMABLE WIRING

Universal voltage driver permits operation at 120V thru 277V, 50 or 60 Hz. For 0-10V Dimming, follow the wiring directions in **Fig. 5**.

1. Connect the black fixture lead to the LINE supply lead.
2. Connect the white fixture lead to the COMMON supply lead.
3. Connect the GROUND wire from fixture to supply ground.
4. Connect the purple fixture lead to the (V+) DIM lead.
5. Connect the gray fixture lead to the (V-) DIM lead.
6. Cap the yellow fixture lead, if present. Do NOT connect.

NOTE: Do not connect DIM V+ (purple)/ DIM V- (gray) to line voltage or supply ground.

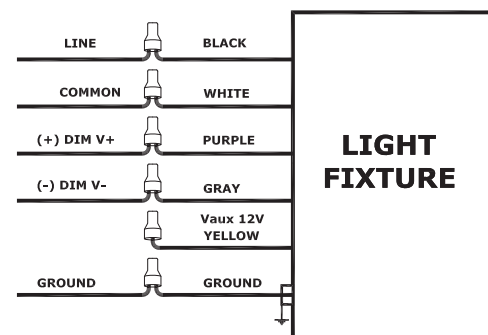


Fig. 5

SEAL™ 4FT/ 8FT INSTALLATION INSTRUCTIONS



Thank you for buying RAB lighting fixtures. Our goal is to design the best quality products to get the job done right. We'd like to hear your comments. Call the Marketing Department at 888-RAB-1000 or email: marketing@rabweb.com

CLEANING & MAINTENANCE

CAUTION: Be sure fixture temperature is cool enough to touch. Do not clean or maintain while fixture is energized.

1. Lens should be washed in a solution of warm water and any mild, non abrasive household detergent, rinsed with clean water and wiped dry.

WARNING: Polycarbonate is affected by cleaning agents or other liquids containing partial solvents such as low molecular weight aldehydes and ethers, ketones, esters, aromatic hydrocarbons and perchlorinated hydrocarbons. In addition, chemical attack ranging from partial to complete destruction of polycarbonate occurs in contact with alkalines, alkali salts, amines and high zone concentrations. Please go to rabweb.com for a detailed list of damaging chemicals.

2. Do not open fixture to clean the LED. Do not touch the LED.

TROUBLESHOOTING

1. Check that the line voltage at the fixture is correct. Refer to wiring directions.
2. Be sure the fixture is grounded properly.

Note: These instructions do not cover all details or variations in equipment nor do they provide for every possible situation during installation operation or maintenance.



SEAL 4/8 IN 0617

Easy Answers

rabweb.com
Visit our website for product info

Tech Help Line
Call our experts - 888 722-1000

e-mail
Answered promptly - sales@rabweb.com

Free Lighting Layouts
Answered online or by request